

MBN



RINA



<b>Ausführung</b> construction	Bogen 90°, drehbares Außengewinde elbow 90°, swivelling male thread	
<b>Werkstoff</b> material	Polyamid 6, UL 94 V0 Messing vernickelt polyamide 6, UL94 V0 nickel-plated brass	
<b>Temperatur</b> temperature	-40°C - +105°C kurzz. / short term +150°C	
<b>Schutzart</b> protection	IP68 / IP69K	
<b>gemäß</b> according to	IEC EN 61386	
<b>Passende Wellrohre</b> suitable corrugated conduits	alle all	

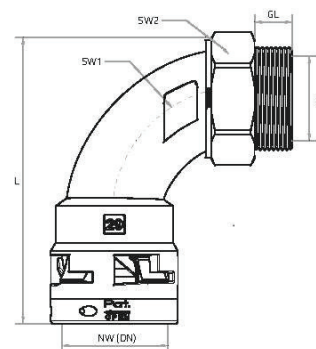


## Gewindeart metrisch

Art. Nr. art. no.	Gewinde thread	NW DN	ID mm	GL mm	SW1 mm	SW2 mm	L mm	VPE Stk. unit pcs.
M8*BN10M16	M16	10	10,0	11,0	13	20	60,5	50
M8*BN12M16	M16	12	12,0	11,0	15	24	65,0	50
M8*BN12M20	M20	12	12,0	12,0	15	24	65,0	50
M8*BN17M20	M20	17	15,5	12,0	20	28	76,0	50
M8*BN17M25	M25	17	16,4	12,0	20	28	76,0	50
M8*BN23M25	M25	23	21,7	12,0	26	35	90,0	30
M8*BN23M32	M32	23	21,7	12,0	26	35	90,0	30
M8*BN29M32	M32	29	29,1	13,5	32	42	101,8	20
M8*BN36M40	M40	36	36,0	13,5	40	52	123,5	20
M8*BN48M50	M50	48	45,0	14,5	55	64	142,4	10
M8*BN48M63	M63	48	47,8	14,5	55	64	142,5	10

M8B... = Schwarz / black

M8G... = grau / grey



## Gewindeart PG

Art. Nr. art. no.	Gewinde thread	NW DN	ID mm	GL mm	SW1 mm	SW2 mm	L mm	VPE Stk. unit pcs.
M8*BN10P09	PG9	10	10,0	11,0	13	20	60,5	50
M8*BN12P11	PG11	12	12,0	11,0	15	24	65,0	50
M8*BN17P13	PG13,5	17	16,2	12,0	20	28	76,0	50
M8*BN17P16	PG16	17	16,4	12,0	20	28	76,0	50
M8*BN23P21	PG21	23	21,7	12,0	26	35	90,0	30
M8*BN29P29	PG29	29	29,1	13,5	32	42	101,8	20
M8*BN36P36	PG36	36	36,0	13,5	40	52	123,5	20
M8*BN48P48	PG48	48	47,8	14,5	55	64	142,4	10